

Simple to install,
Easy-to-use

RP-1

Remote Operating Panel
—Single Additive—

Puts Controls Close to the Operator and
Provides Proof of Additive Injection

Fluid
power

Flow of the Fuel powers the Injector.
NO OUTSIDE POWER SOURCE NECESSARY

STANDARD FEATURES

- Sight Flow Indicator
- Inject/Off/Calibrate/Bleed controls
- Suction strainer
- 16 ounce (.47 l) calibration bottle
- All necessary tubing and fittings
- Siphon tube for 5 gallon (18.92 l) pail
- Line pressure simulation valve for the most accurate calibration tests

EQUIPMENT OPTIONS

- Lockable covers
- Custom labeling
- Additive injection flashing light
- All stainless steel tubing

INNOVATION
—pure and simple

Remote Operating Capability

It is not always convenient to install the injector close to meters, hose reels and other operating controls. The RP-1 (Remote Panel) keeps operating and calibration controls within easy reach of the operator and within easy sight for those customers who want verification of injected additive.

Unique with Hammonds' injectors, our exclusive Sight Flow Indicators allow visual proof that additive is being drawn into the system. Unlike some who use floating balls and propellers that can indicate fluid movement, but not necessarily additive injection.

- Remote operating capability for one additive
- Five-way selector valve for inject, off, calibrate and bleed
- Anodized aluminum panel for mounting on horizontal or vertical surface
- Suction Sight Flow Indicator
- All necessary stainless fittings and 60 feet (18.28 m) of 3/8" (.95 cm) high density Synflex tubing (stainless available at extra cost)
- Siphon tube for five gallon (18.92 l) container



RP-1

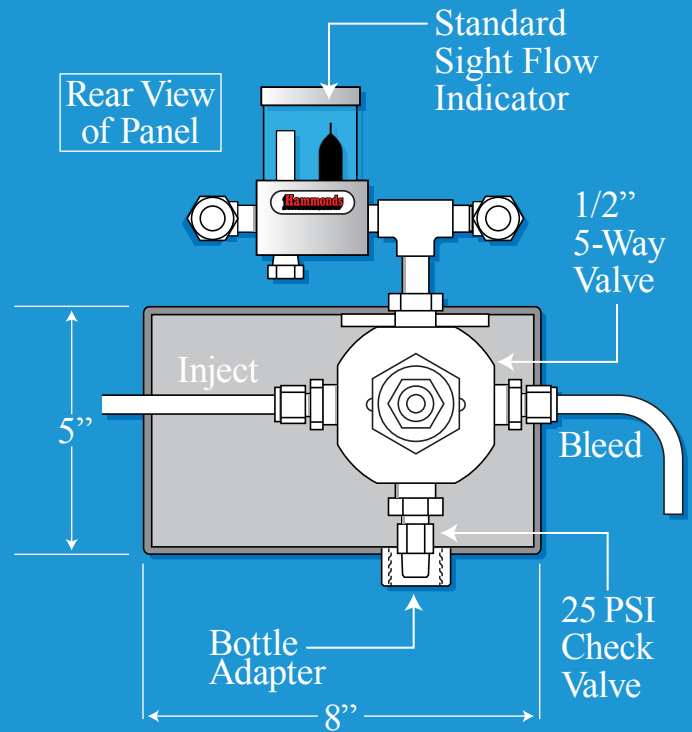
Remote Operating Panel
—Single Additive—

Selective Injection provides
MORE CUSTOMER OPTIONS

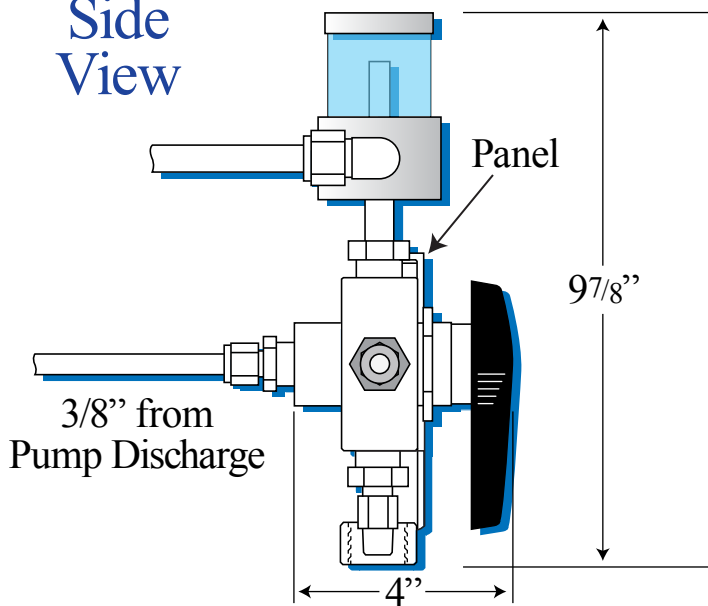
Fluid
power

Flow of the Fuel powers the Injector.
NO OUTSIDE POWER SOURCE NECESSARY

RP1-HV Panel



Side View



Over **11,000** Systems Installed
—WORLDWIDE—

Fluid Schematic

